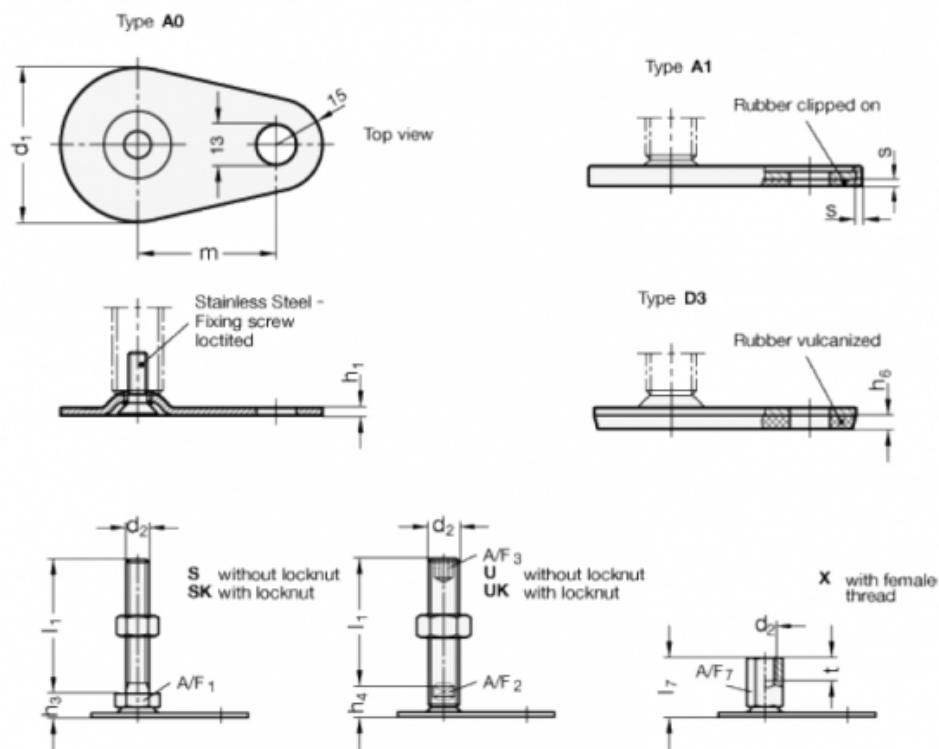


Data Sheet



Article number: 204280M2045A0X
 Description: E+G levelling foot
 GN 42-80-M20-45-A0-X
 Note: X With female thread, External hexagon

Measures



A/F7 = 27

t = 20

d1 = 80

d2 = M20

h1 = 3

h6 =

h7 = 45

m = 70

s =